

## Z2-7 Collection System

**Operator's Manual**  
**Parts Manual**

**Models: 540200800**

Please read these instructions carefully and make sure you understand them before using the machine.

MANUAL NO. 540200855 REV 3 (04/14/03)

# Index

## Operators Guide

Specifications .....	3
Features and Controls (Auxiliary Engine) .....	4
Features and Controls (Spindle Drive) .....	5
General Information .....	6
Safety Procedures .....	6
Unpacking Instructions .....	8
Assembly Instructions .....	8
Servicing the Engine .....	13
Pre-Start Check .....	13
Starting the Engine .....	13
Operating the Vacuum .....	13

## Maintenance and Service Instructions

Cleaning and Washing .....	14
Storage .....	14
Preventative Maintenance Schedule .....	14
Engine Service and Maintenance .....	15
Caring for Vacuum Hoses .....	15
Cleaning Exhaust Screen .....	15
Trouble Shooting Guide .....	16

## Replacement Parts

Replacement Parts List .....	17
------------------------------	----

**WARNING: Engine exhaust, some of its constituents, and certain vehicle components contain or emit chemicals known to the State of California to cause cancer and birth defects or other reproductive harm.**

# Operators Guide

## Specifications

### Auxiliary Engine (For Gen I and Gen II Units Only)

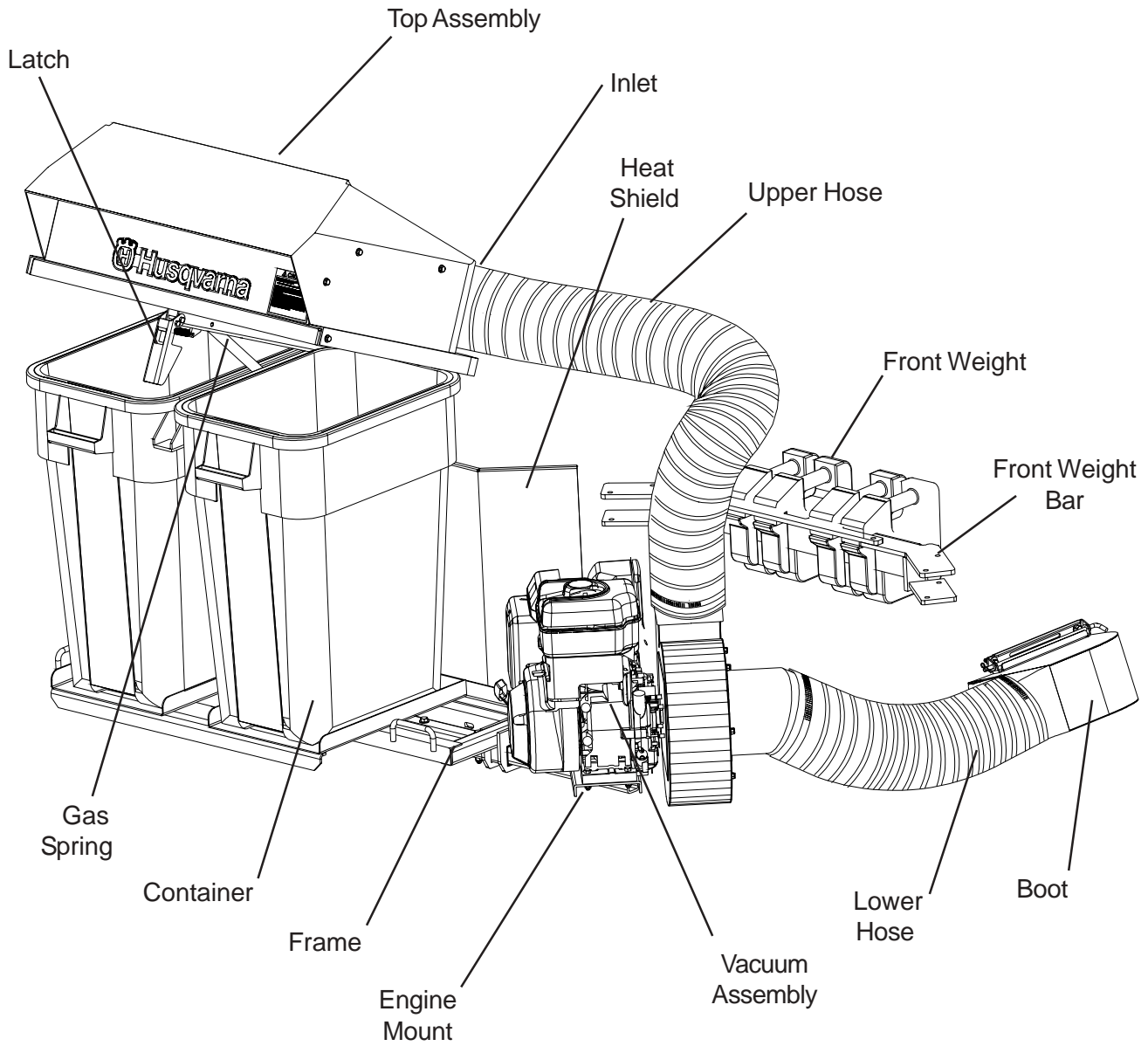
Height	42 in. (107 cm.)
Length	31 in. (79 cm.)
Width (without engine mount or vacuum assembly)	39 in. (99 cm.)
Width (with engine mount and vacuum assembly)	63 in. (160 cm.)
Engine Options	5.5 hp Briggs & Stratton Intek 6 hp Kohler
Weight (without vacuum assembly)	107 lb. (49 kg.)
Weight (with 6 hp Kohler vacuum assembly)	172 lb. (78 kg.)
Capacity	8.5 cu ft (7 bu. or 0.24 m <sup>3</sup> )
Hose	7 in. (18 cm.) upper and lower

### Spindle Drive (For Gen II, iZ and Mini Units Only) (Will Not Fit on 72" Decks)

Height	42 in. (107 cm.)
Length	31 in. (79 cm.)
Width (without hose or blower)	39 in. (99 cm.)
Width (with hose and blower)	65 in. (165 cm.)
Deck Options	42" 52" 48" 61"
Weight (without spindle drive/blower assembly)	95 lb. (43 kg.)
Weight (with spindle drive/blower assembly)	155 lb. (70 kg.)
Capacity	8.5 cu ft (7 bu. or 0.24 m <sup>3</sup> )
Hose	7 in. (18 cm.) upper and lower

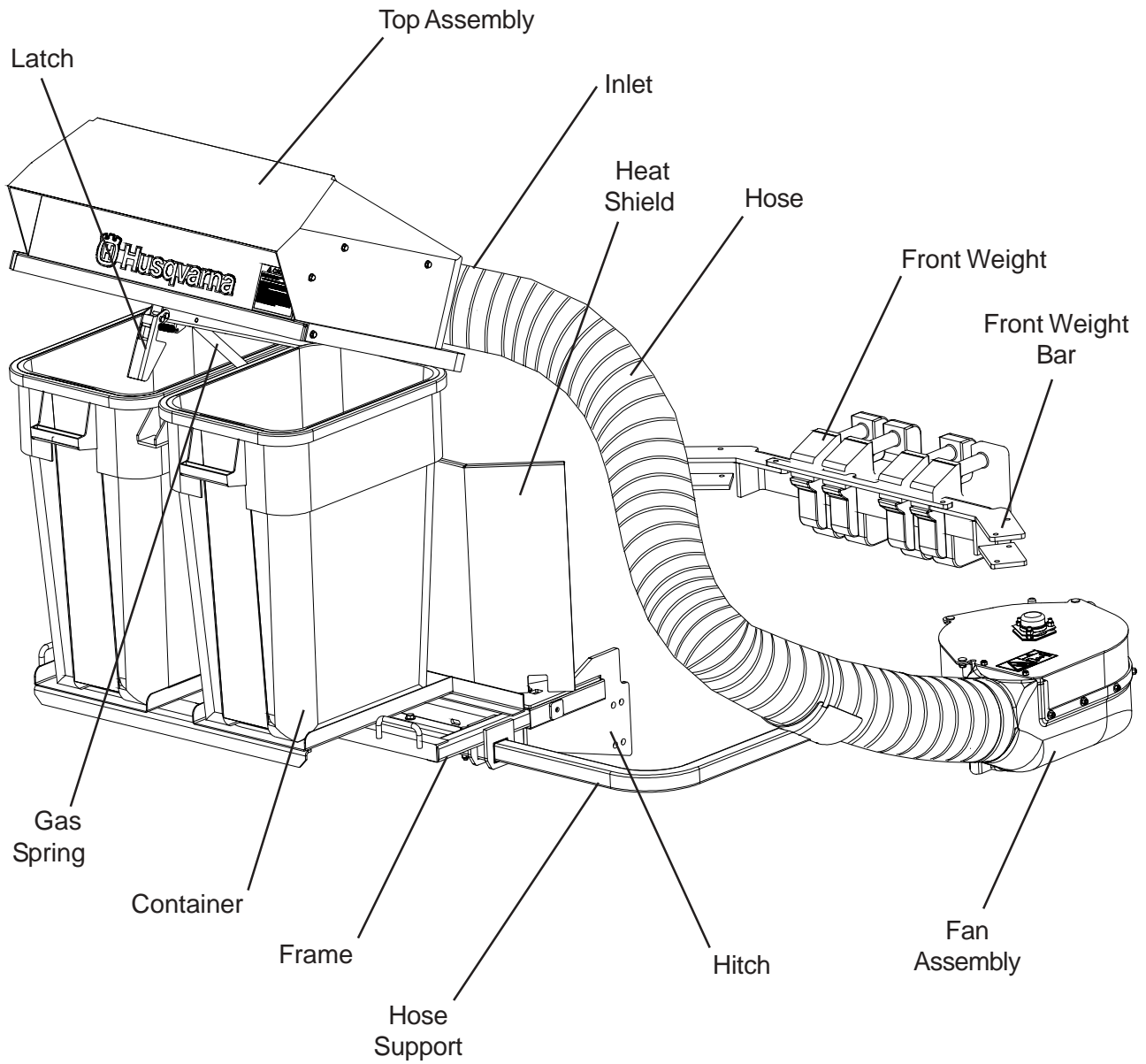
# Operators Guide

## Features and Controls (Auxiliary Engine)



# Operators Guide

## Features and Controls (Spindle Drive)



# Operators Guide

## General Information

This manual will assist you in the safe operation and proper maintenance of your Husqvarna equipment. Read it thoroughly before attempting to operate the machine. Call your dealer or Husqvarna if additional information is required.

The following safety symbols are used throughout the manual to alert you to information about unsafe actions or situations:

**DANGER** indicates immediate hazards that may result in severe injury or death

**WARNING** indicates unsafe actions or situations that may cause severe injury, death and/or major equipment or property damage.

**CAUTION** indicates unsafe actions or situations that may cause injury, and/or minor equipment or property damage.

This equipment should not be modified without the manufacturer's prior written authorization. Doing so may not only affect the equipments' performance and durability, but also create safety hazards for the operator and the surroundings. Warranty will be void if changes are made to the equipment without the manufacturer's prior written authorization.

## Safety Procedures

### 1 - Training:

- Read the Operator's manual. If the operator(s) or mechanic(s) can not read English it is the owner's responsibility to explain this material to them.
- Become familiar with the safe operation of the equipment, operator's controls, and safety signs.
- All operators and mechanics should be trained. The owner is responsible for training the users.
- Never let children or untrained people operate or service the equipment. Local regulations may restrict the age of the operator.
- The owner/user can prevent and is responsible for accidents or injuries occurring to themselves, other people, or property.

### 2 - Preparation:

- Wear appropriate clothing including hard hat, safety glasses and ear protection. Long hair, loose clothing or jewelry may get tangled in moving parts.
- Inspect the area where the equipment is to be used and remove all objects such as rocks, toys and wire which can be thrown by the machine.
- Use extra care when handling gasoline and other fuels. They are flammable and vapors are explosive. Use only an approved container. Never remove gas cap or add fuel with engine running. Allow engine to cool before refueling. Do not smoke. Never refuel or drain the machine indoors.
- Check that operator's controls, safety switches, hoses, and shields are securely attached and function properly. Do not operate unless they are functioning properly.

# Operators Guide

## 3 - Operation

- Never run an engine in an enclosed area.
- Only operate in good light, keeping away from holes and hidden hazards.
- Slow down and use extra care on hillsides. Make turns gradually and at slow speed. Do not operate across the sides of slopes. Operate up and down slopes only. Do not operate on steep slopes.
- Turf conditions can affect the machine's stability. Do not operate on wet grass where traction may be reduced.
- Do not change the engine governor setting or overspeed the engine.
- Stop equipment and inspect vacuum impeller and hoses after striking objects or if an abnormal vibration occurs. Make necessary repairs before resuming operations.
- Look behind and down before backing up to be sure of a clear path.
- Slow down and use caution when making turns and crossing roads and sidewalks. Stop vacuum and mower blades if not mowing.
- Do not operate machine under the influence of alcohol or drugs.
- Use care when loading or unloading the machine into a trailer or truck.
- Use care when approaching blind corners, shrubs, trees, or other objects that may obscure vision.

## 4 - Maintenance and Storage:

- Stop engine and disconnect spark plug wire. Wait for all movement to stop before adjusting, cleaning, or repairing.
- Clean grass and debris from muffler and engine to help prevent fires. Clean up oil or fuel spillage.
- Let engine cool before storing and do not store near flame.
- Shut off fuel while storing. Do not store fuel near flames or drain indoors.
- Never allow untrained personnel to service machine.
- Keep hands and feet away from moving parts. If possible, do not make adjustments with the engine running.
- Keep all parts in good working condition and all hardware tightened. Replace all worn or damaged decals.

# Operators Guide

## Unpacking Instructions

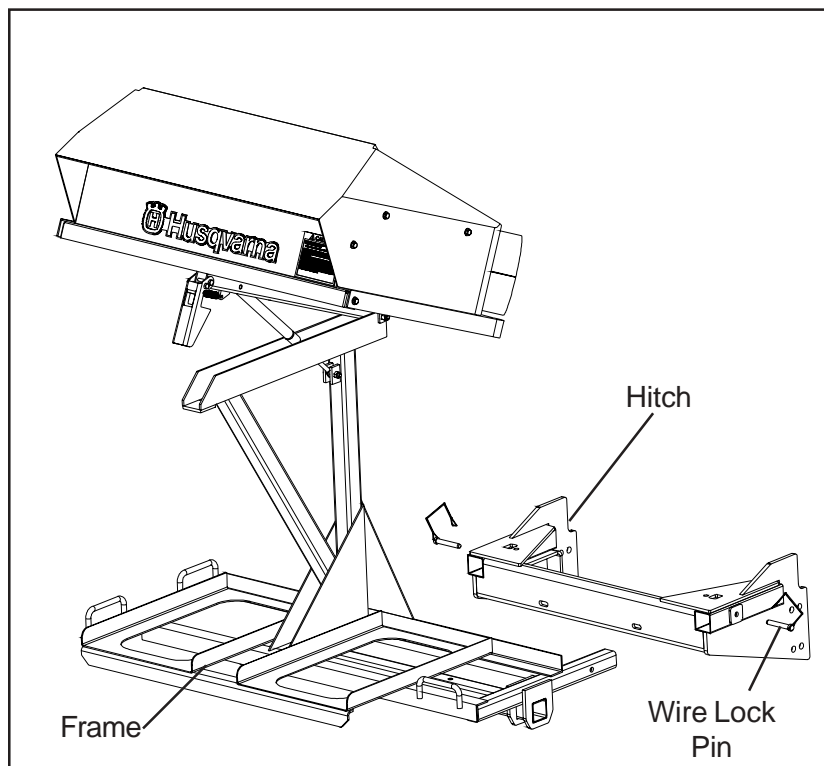
1. Wear gloves and eye protection.
2. Cut straps around carton and remove top.
3. Take hoses out of carton.
4. Remove wood pieces. NOTE: Watch for nails and wood splinters.
5. Slide carton sleeve out of bottom tray and lift over Z2-7

## Assembly Instructions

1. Attach hitch to unit (see hitch instructions).

2. Mounting the Z2-7

Tools Required:  
None



1. Slide the Z2-7 Frame into the Hitch.
2. Line up through holes in the Hitch and Z2-7 Frame and secure with two (2) 3/8" wire lock pins.



# Operators Guide

## Assembly Instructions (continued)

### 3. Attaching the Heat Shield

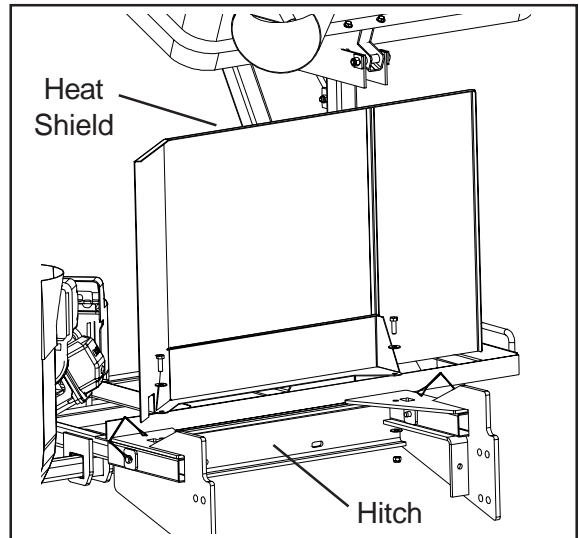
Tools Required:

1/2" Wrench

1/2" Socket

Ratchet

1. Locate two (2) holes in top corner brace plates of Hitch.
2. Aligning holes in bottom of Heat Shield, place Heat Shield onto Hitch.
3. Secure Heat Shield to Hitch using two (2) 5/16"-18 x 1" hex bolts, four (4) 5/16" flat washers, and two (2) 5/16" nylon lock nuts.

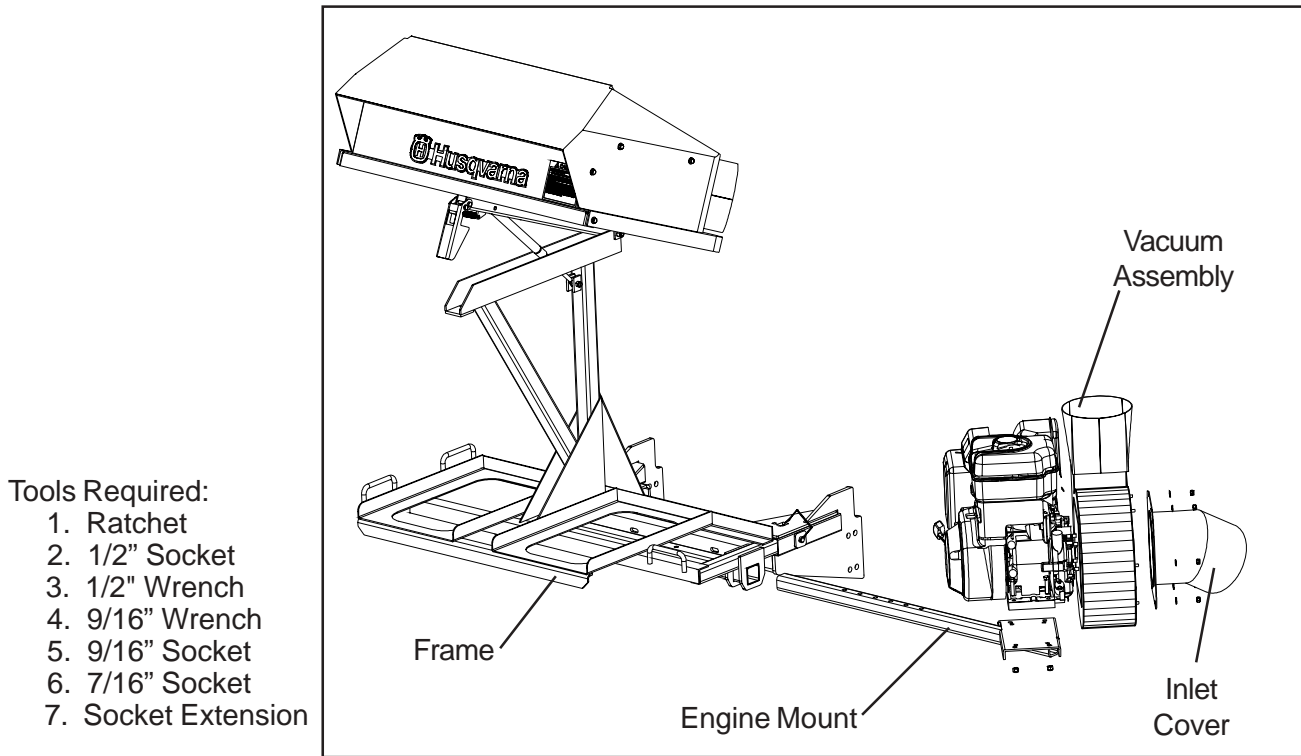


**If installing a spindle drive assembly, skip to step 5.**

# Operators Guide

## Assembly Instructions (continued)

### 4. Attaching the Engine Mount and Vacuum Assembly



1. Slide the Engine Mount into the Frame as shown.
2. Place the Vacuum Assembly on the Engine Mount and secure it tightly with four (4) 5/16" x 1-1/2" hex bolts and four (4) 5/16" nylon lock nuts.
3. Slide the Engine Mount into the Frame so that the Vacuum Assembly is as close to the Frame as possible.
4. Adjust the Engine Mount to the nearest aligning holes between the Frame and the Engine Mount.
5. Secure the Engine Mount to the Frame with two (2) 3/8" x 2-1/2" hex bolts, two (2) 3/8" hex nylon lock nuts, and four (4) 3/8" flat washers.
6. Place the Inlet Cover on the Vacuum Assembly with the inlet cylinder pointing downward and forward toward the mower deck.
7. Secure the Inlet Cover with six (6) 1/4" flat washers and six (6) 1/4" nylon lock nuts.

**NOTE: Auxiliary Engine kits contain a remote throttle cable that is not used with the Z2-7.**

# Operators Guide

## Assembly Instructions (continued)

### 5. Attaching a Spindle Drive Assembly

1. Remove the discharge chute.
2. Remove the right hand belt shield.
3. Remove the deck belt from the right spindle assembly sheave.
4. Remove this sheave but keep the ¼" square key and the two washers at hand for reinstallation.
5. Install the Stepped Sheave and spacer/key retainer included in the kit using the original key and washers but substituting the original 7/16" HCS with the longer version provided. An application of anti-seize is recommended.
6. Reinstall the deck belt.
7. The 5/8" hole toward the rear of the ¼" thick discharge chute mounting bar at the right end of the deck may be distorted from forming or loaded with paint. Drill out or fill this hole until it will accept a 5/8" bolt or piece of bar stock. Keep the fit close.
8. If any weld beads or the edge of the deck top project past the right end surface of the deck, these must be ground back to allow the fan assembly to fit up flush to the end of the deck.
9. Remove the 3/8" fastener, nut, and clamp from the inside front corner of the fan assembly.
10. Remove the sheave floor to expose the fan assembly belt sheave from below.
11. Loosen the nut retaining the belt guide/retainer, install the belt from the Drive Kit, retighten the nut, verify the belt clears the guide, and reinstall the sheave floor.
12. Rest the fan assembly onto the deck end and slide the pilot thru the 5/8" hole previously mentioned so that fan assembly is supported by the pilot and the ¼" stop block welded under the clamp at the front of the fan assembly.  
**Note: It may be necessary to swing the idler pulley away from the assembly mounting face to clear the chute mounting bar and the discharge chute mounting tab on the deck.**
13. Reinstall the clamp at the front of the assembly so that the tab at the lower end of the clamp passes thru the rectangular slot at the right front corner of the mower deck, but leave the fastener loose to ease belt installation.
14. Rotate the belt idler as far forward as possible and install the belt over the top groove of the new deck sheave.
15. Tighten the clamp fastener.
16. Using a scribe or other small sharp object, transfer the mounting hole location at the rear edge of the fan assembly onto the mating vertical surface at the right rear of the mower deck and drill thru with a 25/64" drill.
17. Install the stops on the deck stop pins located at the rear of the deck then install the new belt shield.
18. Install the tube support to the main collection assembly using the 3/8" fastener provided, positioning so that the tube is 2" to 3" away from the tire.
19. Install the 7" hose to the fan assembly and the container input port using the hose clamps provided.
20. Clamp the tube to the tube support.

# Operators Guide

## Assembly Instructions (continued)

### 6. Hose Attachment

NOTE: Hoses may need to be trimmed to fit. If necessary, see the Hose Trimming section at the end of the Assembly Instructions.

Tools Required: Flat screwdriver

1. Slide one hose clamp over each end of the 54" Lower Hose. Slide one end of the hose over the Vacuum Inlet Cover and the other end over the Boot discharge opening. Tighten the hose clamps to secure hose in place.
2. Slide one hose clamp over each end of the 48" Upper Hose. Slide one end of the hose over the Vacuum discharge. Slide the other end over the Container Inlet, ensuring that the red decal on the inlet is completely covered by the hose. Tighten the hose clamps to secure the hose.

### 7. Hose Trimming

Tools Required: Utility Knife

1. Carefully measure the length needed. Remember that although the hose is flexible, it will not stretch.
2. Measure the same length on the hose that needs to be trimmed, and with the utility knife, cut through the webbing at the proper location.
3. Continue that cut through the webbing all the way around the hose so that it finishes just across the support coil from where the original cut was started.
4. Use the utility knife to score the support coil between the beginning and end of the web cut. Set aside the knife, and finish breaking the coil by hand by working the scored portion back and forth until it breaks apart.

# Operators Guide

## Auxiliary Engine Vacuum Assembly

### Servicing the Engine

1. Make sure that engine oil is at engine manufacturer's recommended level (refer to engine manual).
2. Fill the fuel tank. Use fresh, clean, unleaded automotive gasoline.

### Pre-Start Check

1. Make sure the stop switch is in the OFF position and spark plug wire is disconnected. Pull the starter rope slowly to make certain there are no foreign objects in the blower housing.
2. Be sure the spark plug wire and cover are attached to the spark plug.

### Starting the Engine

1. Turn the stop switch to the ON position.
2. Move the choke lever to the FULL CHOKE position.
3. Move the throttle lever to the FULL THROTTLE position.
4. Grasp the starter handle firmly. Pull the handle with a rapid continuous motion.
5. When the engine starts, move the choke to 1/2 choke and then to NO CHOKE position

### Operating the Vacuum

1. **NEVER USE THE Z2-7 WITHOUT THE INLET COVER AND ALL HOSES SECURELY ATTACHED.**
2. Make sure both hoses are connected at both ends. Inspect hoses prior to each use.
3. Do not use the Z2-7 on slopes greater than 15 degrees.
4. The mower must be running in order to vacuum debris through the mower deck.
5. In heavy grass it may be necessary to mow and vacuum at a slower ground speed.
6. Never attempt to unclog the Z2-7 until both the mower's engine and vacuum's engine have been shut off and all moving parts have come to a complete stop.
7. Do not stand behind the vent at the rear of the Z2-7 due to the potential for small pieces of blowing debris to escape through this vent.
8. Be sure to wear eye and ear protection.
9. **TO STOP THE ENGINE:** throttle down to slow for a few seconds, then push switch to OFF. Remove any hearing protection and listen for all moving parts to come to a complete stop. The flywheel in the power head will coast for a few seconds after the engine is shut off before actually stopping.

# Maintenance and Service Instructions

## Cleaning and Washing

Regular cleaning, washing, and lubricating will prolong the service of the machine.

NOTE: Use care with power washers to avoid damage to decals. Limit direct spray on these items.

DO NOT EXCEED 1000 PSI WATER PRESSURE FOR CLEANING.

For best results, clean exhaust screen inside container regularly. Instructions for doing this can be found in the Service section of this manual.

## Storage

1. Refer to engine manufacturer's instructions for engine storage information.
2. Clean machine.
3. Cover all scratches with touch-up paint.
4. Covered or indoor storage is recommended.

## Preventative Maintenance Schedule

Item	Before Each Use	Every 5 Hours	Every 25 Hours	Every 50 Hours
Check Engine Oil Level	X	X		
Change Engine Oil			X	
Change Air Cleaner Element			X	
Replace Spark Plug				X
Inspect/Clean Exhaust Screen	X	X		
Check/Tighten Nuts & Bolts	X			
Check/Tighten Hoses	X			
Turn Hose End to End			X	
Rotate Hose				X
Clean Machine				X

# Maintenance and Service Instructions

## Engine Service and Maintenance

Follow the engine manufacturer's maintenance instructions. Should any malfunction occur with the engine during the warranty period, take it to an Authorized Service Dealer. DO NOT tear down the engine, as this may void the Engine Manufacturer's Warranty.

NOTE: Refer to engine manufacturer's owner's manual for all engine service information.

## Caring For Vacuum Hoses

1. Inspect hoses before each use. If hoses have excessive wear, tears, or punctures, replace immediately.
2. To prolong the life of the hose, periodically rotate hose and turn hose end to end. Refer to Preventative Maintenance Schedule in this manual.
3. Avoid twists and sharp turns in the hoses, as they will increase wear on the hoses.
4. Avoid dragging the lower hose along the sides of buildings or other hard surfaces.

## Cleaning Exhaust Screen

To assist with "blowout" problems that will develop when air cannot exit the containers, the rubber flap bolted to the upper surface of the steel top insert (right rear corner) is designed to open if the top assembly is otherwise clogged.

If the rubber flap opens, it will release debris behind the vacuum system. While the containers will typically continue to fill, this is an indication that the top insert needs to be cleaned.

To clean the top insert:

1. Shut off all engines.
2. While wearing gloves, open the top, remove the containers, and reach in and up to wipe debris off the expanded metal openings inside the top assembly.
3. A household water hose can also be used to assist in the cleaning process, but the unit should be allowed to dry as the moisture may cause clogging to occur more quickly during operation.

# Maintenance and Service Instructions

## Trouble Shooting Guide

### ! DANGER !

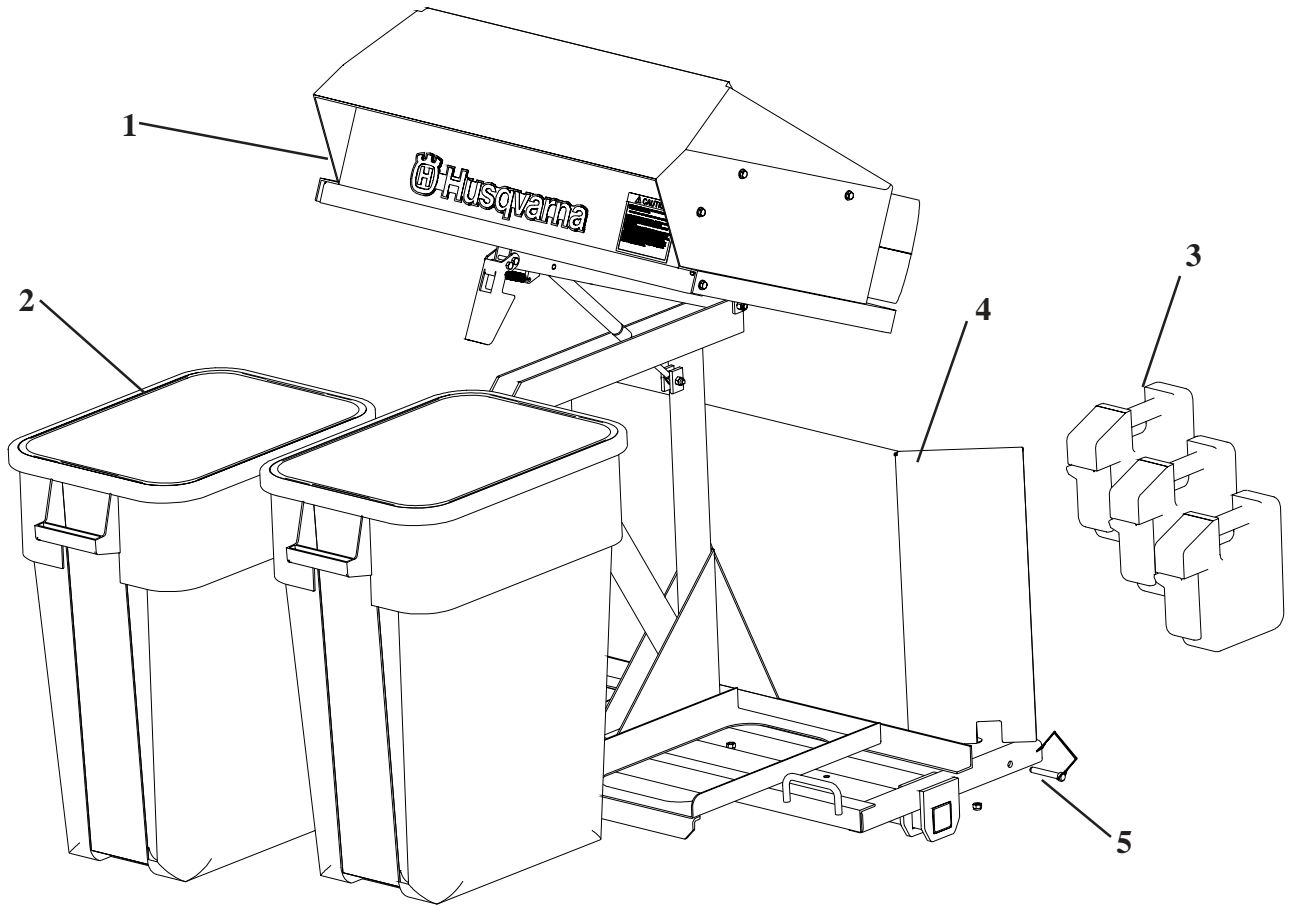
Before servicing unit wait for all moving parts to come to a complete stop. Turn engine off and remove the spark plug wire.

PROBLEM	POSSIBLE CAUSE	CORRECTION
Engine Does Not Start.	<ol style="list-style-type: none"> <li>1. Spark plug wire disconnected.</li> <li>2. Engine ON/OFF switch in OFF position.</li> <li>3. Fuel tank empty.</li> <li>4. Stale gasoline.</li> <li>5. Dirty air filter.</li> </ol>	<ol style="list-style-type: none"> <li>1. Reconnect wire.</li> <li>2. Put switch in ON position.</li> <li>3. Add gasoline.</li> <li>4. Drain gasoline and add fresh gasoline.</li> <li>5. Clean or replace.</li> </ol>
Engine Runs Poorly.	<ol style="list-style-type: none"> <li>1. Bad spark plug.</li> <li>2. Dirty air filter.</li> <li>3. Incorrect choke setting.</li> <li>4. Stale gasoline.</li> <li>5. Dirt or water in fuel tank.</li> </ol>	<ol style="list-style-type: none"> <li>1. Inspect spark plug.</li> <li>2. Clean or replace.</li> <li>3. Put choke in correct setting.</li> <li>4. Drain gasoline and add fresh gasoline.</li> <li>5. See engine service dealer.</li> </ol>
Engine Overheats.	<ol style="list-style-type: none"> <li>1. Carburetor out of adjustment.</li> <li>2. Oil level is low.</li> </ol>	<ol style="list-style-type: none"> <li>1. See engine service dealer.</li> <li>2. Check and add oil.</li> </ol>
Loss of Vacuum.	<ol style="list-style-type: none"> <li>1. Vacuum inlet clogged.</li> <li>2. Container full.</li> <li>3. Engine not reaching full RPM.</li> <li>4. Fan blades bent or broken.</li> </ol>	<ol style="list-style-type: none"> <li>1. Remove hose and clean inlet.</li> <li>2. Inspect and empty.</li> <li>3. See "Engine Runs Poorly" above.</li> <li>4. Replace/repair impeller.</li> </ol>
Unusual vibration or noise.	<ol style="list-style-type: none"> <li>1. Solid object jammed in unit.</li> <li>2. Engine cylinder shaft or crankshaft bent or damaged.</li> <li>3. Loose engine mounting bolts/nuts.</li> <li>4. Loose or missing bolts on unit.</li> <li>5. Engine shaft bearings damaged.</li> </ol>	<ol style="list-style-type: none"> <li>1. Check and remove any obstruction.</li> <li>2. See engine service dealer.</li> <li>3. Tighten bolts/nuts.</li> <li>4. Tighten or replace bolts.</li> <li>5. See engine service dealer.</li> </ol>



# Replacement Parts

## 540200800 Assembly

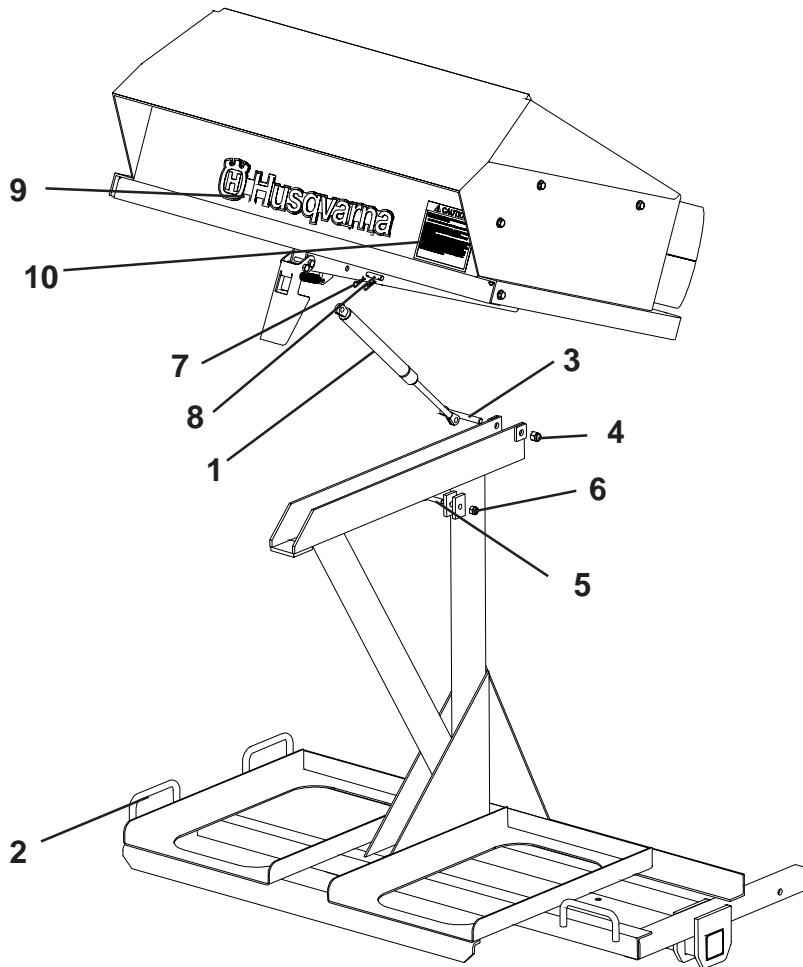


ITEM	PART NO.	DESCRIPTION	QTY.
1	540200853	Frame/Top Assembly	1
2	540093817	Container, 30 Gal.	2
3	540092531	Front Weight	3
4	540092767	Heat Shield	1
*	540200854	Small Parts Kit, <i>including:</i>	1
*	540200855	Manual	1
5	540099693	Pin, Wire Lock	2
*	540093961	Ear Plugs	1
*	540099077	Bolt, Hex, 5/16"-18 x 1"	2
*	540000413	Washer, Flat, 5/16"	4
*	540099079	Nut, Hex, Nylon Lock, 5/16"-18	2

\* Not shown

# Replacement Parts

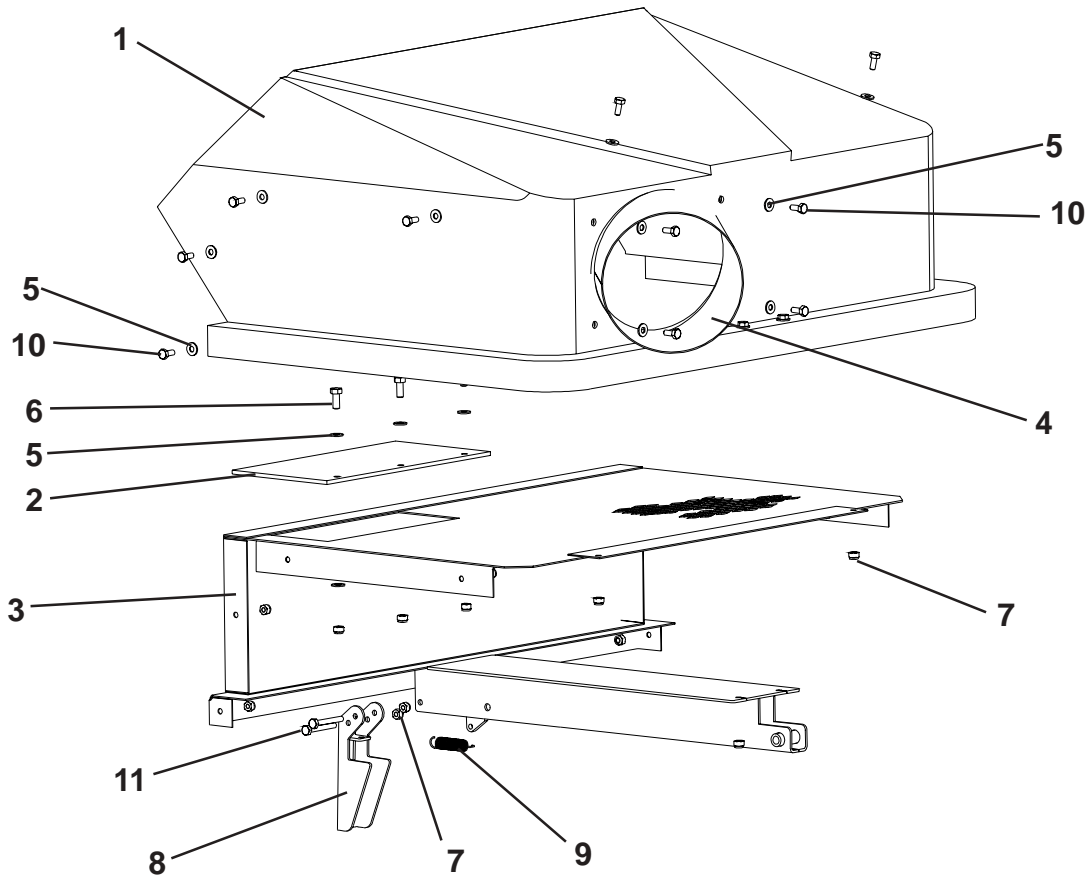
## 540200853 Top/Frame Assembly



ITEM	PART NO.	DESCRIPTION	QTY.
1	540092704	Gas Spring	1
2	540200849	Frame	1
3	540001765	Bolt, Hex, 3/8"-16 x 3"	1
4	540099065	Nut, Hex, Nylon Lock, 3/8"-16	1
5	540099015	Bolt, Hex, 5/16"-18 x 1-1/2"	1
6	540099079	Nut, Hex, Nylon Lock, 5/16"-18	1
7	540099082	Pin, Cotter, #13	2
8	540099102	Pin, Clevis, 5/16" x 1-1/4" w/ 2 holes	1
9	540104804	Decal, Husqvarna	1
10	540200027	Decal, Caution List	1

# Replacement Parts

## 540092675 Top Assembly

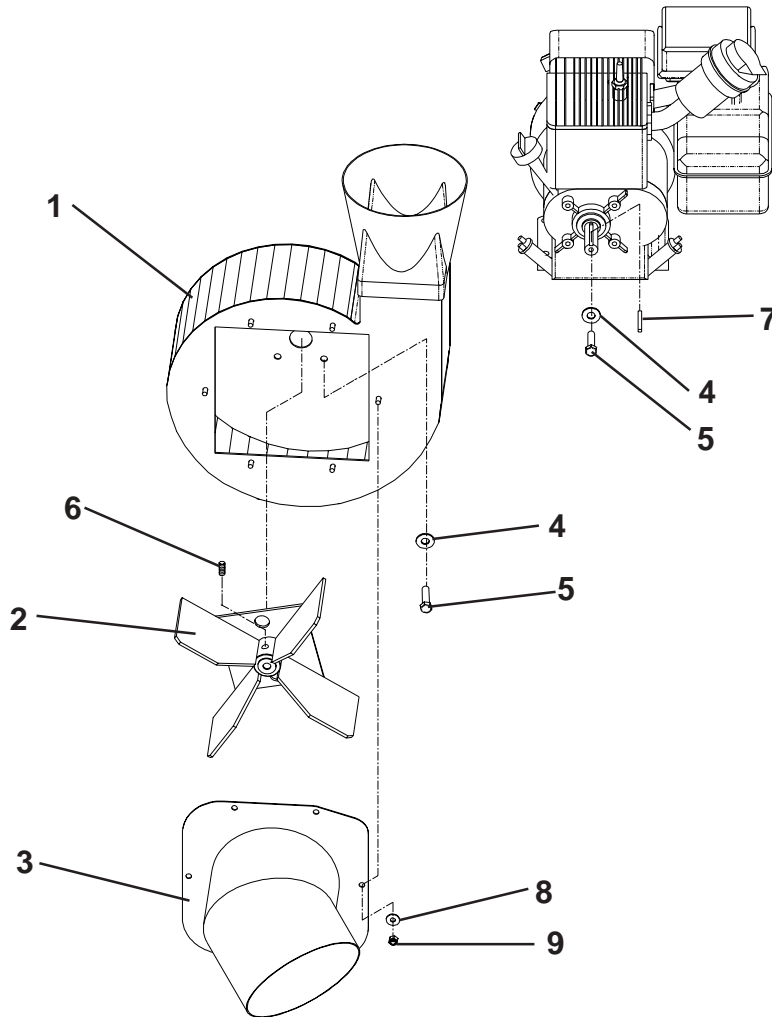


ITEM	PART NO.	DESCRIPTION	QTY.
1	540092720	Top, Plastic	1
2	540092761	Rubber Flap	1
3	540092754	Top Insert	1
4	540092535	Inlet	1
5	540099074	Washer, Flat, 1/4"	22
6	540000122	Bolt, Hex, 1/4"-20 x 3/4", Gd. 5	3
7	540099072	Nut, Hex, Nylon Lock, 1/4"-20	19
8	540092702	Latch	1
9	540093210	Spring	1
10	540000124	Bolt, Hex, 1/4"-20 x 5/8"	16
11	540000134	Bolt, Hex, 1/4"-20 x 2"	2
*	540093610	Weatherstripping, 1/2" x 1"	6 ft
*	540093611	Weatherstripping, 1/2" x 2"	6 ft

\* Not Shown

# Replacement Parts

540030166 6 hp Kohler Vacuum Assembly  
 540030167 5.5 hp Briggs & Stratton Vacuum Assembly

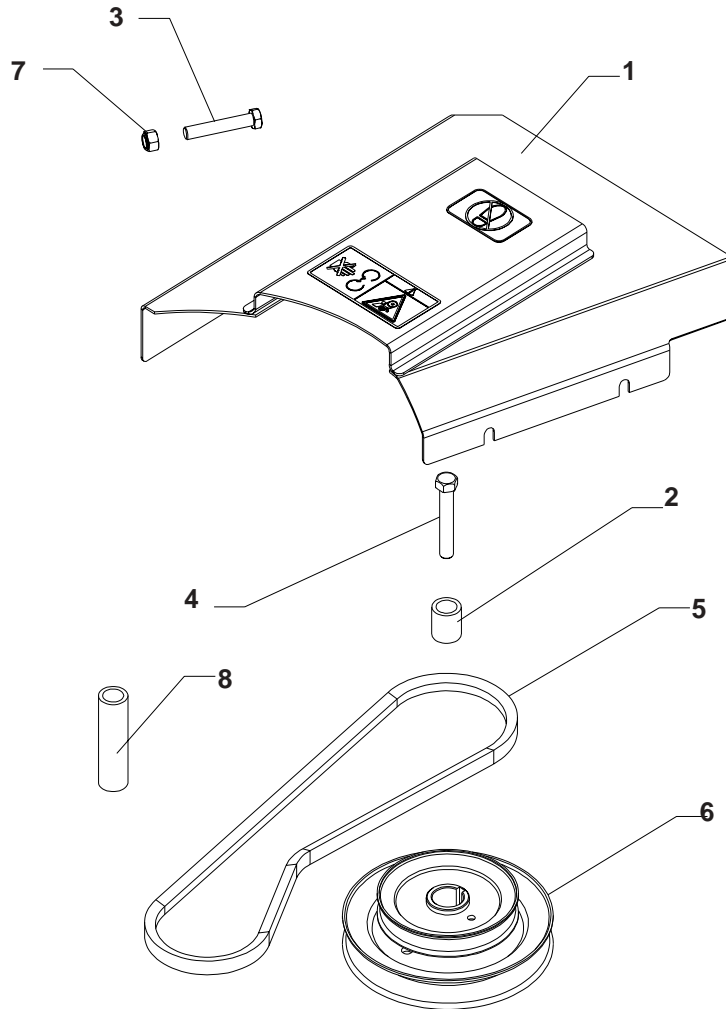


ITEM	PART NO.	DESCRIPTION	QTY.
1	540094004	Blower Housing	1
2	540107832	Impeller	1
3	540092705	Inlet, Blower Housing	1
4	540099001	Washer, Spring, 5/16"	5
5	540099012	Bolt, Hex, 5/16"-24 x 3/4"	5
6	540099027	Screw, Set, 3/8"-24 x 3/8"	2
7	540099002	Key, Square, 3/16" x 3/16" x 1-3/4"1	
*	540094082	Decal, Hot Surfaces	1
*	540200027	Decal, Caution List	1
*	540097081	Screw, muffler deflector (Kohler only)	2
*	540097055	Deflector, exhaust (Kohler only)	1
*	540094251	Hardware Kit, <i>including:</i>	1
*	540099015	Bolt, Hex, 5/16"-18 x 1-1/2"	4
*	540099079	Nut, Hex, Nylon Lock, 5/16"-18	4
8	540099072	Nut, Hex, Nylon Lock, 1/4"-20	6
9	540099074	Washer, Flat, 1/4"	6

\* Not Shown

# Replacement Parts

539106782 Spindle Drive Kit, 42"  
 539106783 Spindle Drive Kit, 48"  
 539106784 Spindle Drive Kit, 52"  
 539106785 Spindle Drive Kit, 61"



ITEM	PART NO.	QTY	DESCRIPTION
1	539106778	1	42 SHIELD W/DECALS
	539106779	1	48 SHIELD W/DECALS
	539106780	1	52 SHIELD W/DECALS
	539106781	1	61 SHIELD W/DECALS
2	539106739	1	SPACER
3	539990629	1	HCS 3/8 X 2.25 USED ON 48"/52"/61"
	539976941	1	HCS 3/8 X 1.25 (42" ONLY)
4	539991120	1	HCS 7/16 X 2.5
5	539106723	1	BELT-42
	539106724	1	BELT-48
	539106725	1	BELT-52
	539106726	1	BELT-61
6	539106744	1	STACKED SHEAVE 42-48
	539106745	1	STACKED SHEAVE 52
	539106746	1	STACKED SHEAVE 61
7	539976979	1	NUT 3/8 NYLOC
8	539106787	2	STOP - USED ON 42" & 48" ONLY

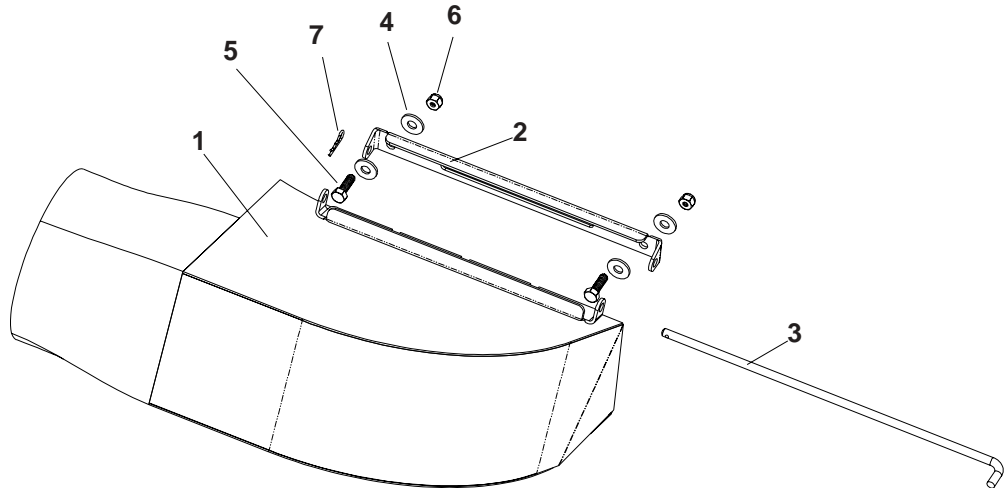
# Replacement Parts

## 540200817 Accessories, Auxiliary Engine

<b>PART NO.</b>	<b>DESCRIPTION</b>	<b>QTY.</b>
540062092	Engine Mount	1
540097154	Hose, 7" x 54"	1
540097148	Hose, 7" x 48"	1
540092531	Front Weight	1
540200717	Small Parts Kit, <i>including:</i>	1
540097076	Hose Clamp	4
540099611	Bolt, Hex, 3/8"-16 x 2-1/2"	2
540000415	Washer, Flat, 3/8"	4
540099065	Nut, Hex, Nylon Lock, 3/8"-16	2
540002004	Nut, Hex, Nylon Lock, #10-24	2
540000403	Washer, Flat, #10	2
540001062	Screw, Slotted Rd Hd, #10-24 x 3/4"	2
540061651	Throttle Cable	1

# Replacement Parts

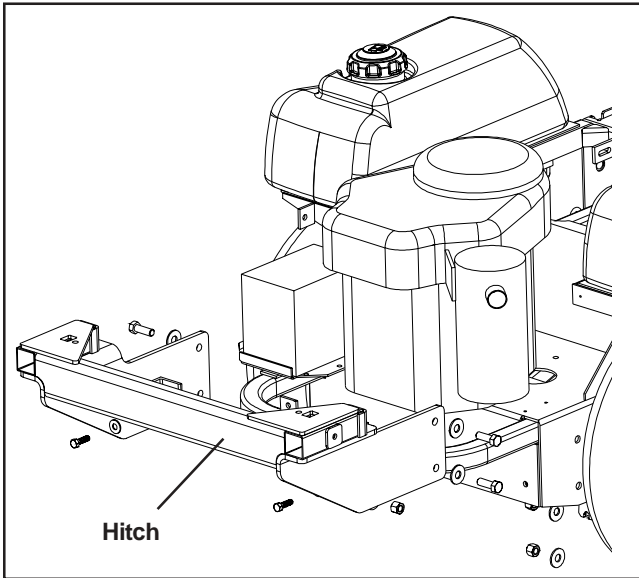
540200671 Boot for Gen II  
 540200818 Boot for Gen I  
 540200941 Boot for Gen II - 72" Deck



ITEM	PART NO.	QTY	DESCRIPTION
1	539200833	1	Boot - Gen I
	539200664	1	Boot - Gen II & Gen II - 72" deck
2	539080652	1	Deck bracket
3	539093814	1	Boot rod, 14"
4	539099046	4	Washer, 5/16
5	539099077	2	Bolt, 5/16-18 x 1
6	539099079	2	Nut, 5/16-18, nylock
7	539099082	1	Cotter pin, #13

# Replacement Parts

## 540200798 Custom Kit for Mini



### HITCH

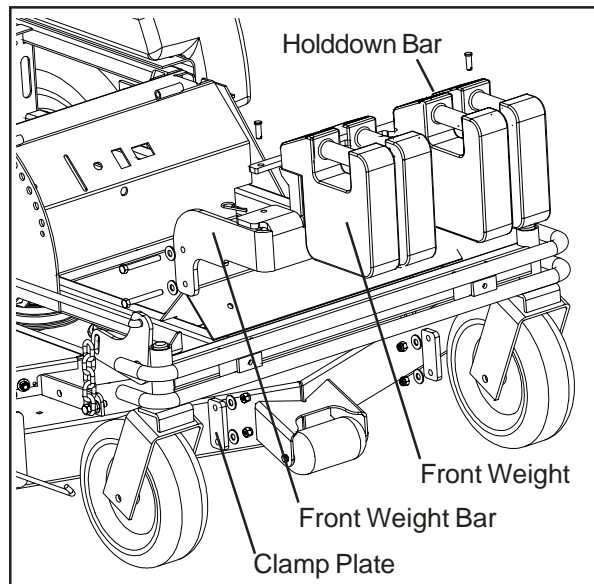
#### Parts List

540200809	Hitch .....	1
540099020	3/8" x 1-1/4" Hex Bolts .....	2
540000415	3/8" Flat Washers .....	4
540099065	3/8" Nylon Lock Nuts .....	2
540099031	1/2" x 1-1/4" Hex Bolts .....	4
540000427	1/2" Flat Washers .....	8
540093082	1/2" Nylon Lock Nuts .....	4

### FRONT WEIGHT BAR

#### Parts List

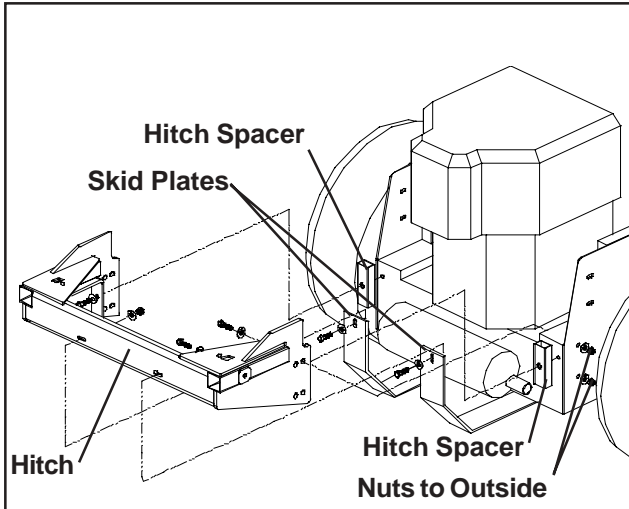
540200810	Front Weight Bar .....	1
540092747	Clamp Plates .....	2
540092731	Holddown Bar .....	1
540099065	3/8" Nylon Lock Nuts .....	4
540001765	3/8" x 3" Hex Bolts .....	4
540000415	3/8" Flat Washer .....	8
540099616	#11 Cotter Pin .....	2
540099668	3/8" x 1" Clevis Pin .....	2





# Replacement Parts

**540200792 Custom Kit for Gen II**  
**540200927 Custom Kit for Gen II - 72" Deck**



## HITCH

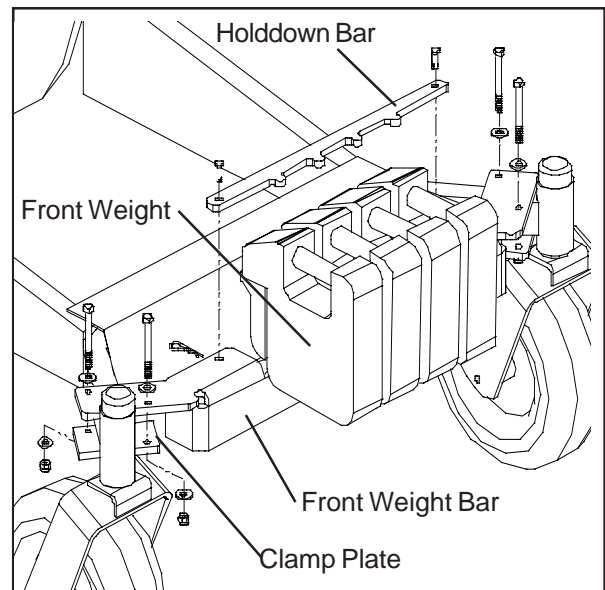
### Parts List

540200749	Hitch .....	1
540099020	3/8" x 1-1/4" Hex Bolts .....	4
540000415	3/8" Flat Washers .....	8
540099065	3/8" Nylon Lock Nuts .....	4
540099031	1/2" x 1-1/2" Hex Bolts .....	4
540000425	1/2" Flat Washers .....	8
540093082	1/2" Nylon Lock Nuts .....	4
540099611	3/8" x 2-1/2" Hex Bolts .....	2
540200788	Hitch Spacer, Blk Fin. ....	2

## FRONT WEIGHT BAR

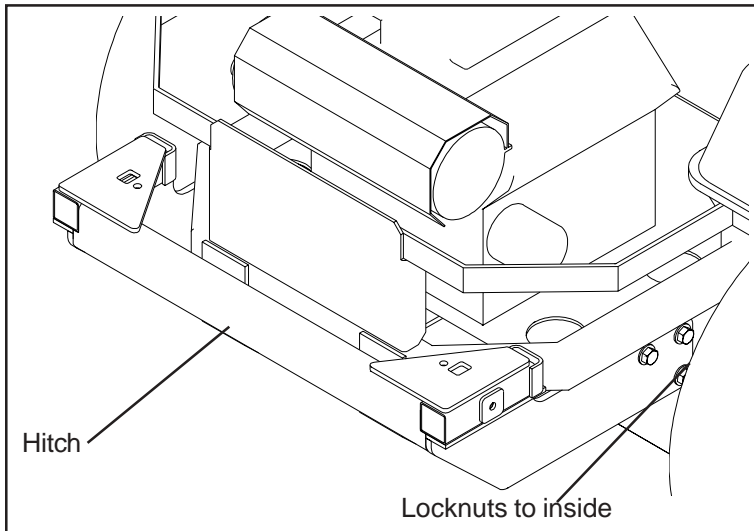
### Parts List

540020255	Front Weight Bar .....	1
540200921	Front Weight Bar, 72" deck .....	1
540092519	Clamp Plates .....	2
540092731	Holddown Bar .....	1
540099065	3/8" Nylon Lock Nuts .....	4
540099113	3/8" x 3-1/2" Hex Bolts .....	4
540000415	3/8" Flat Washer .....	8
540099616	#11 Cotter Pin .....	2
540099668	3/8" x 1" Clevis Pin .....	2



# Replacement Parts

## 540200799 Custom Kit for Gen I



### HITCH

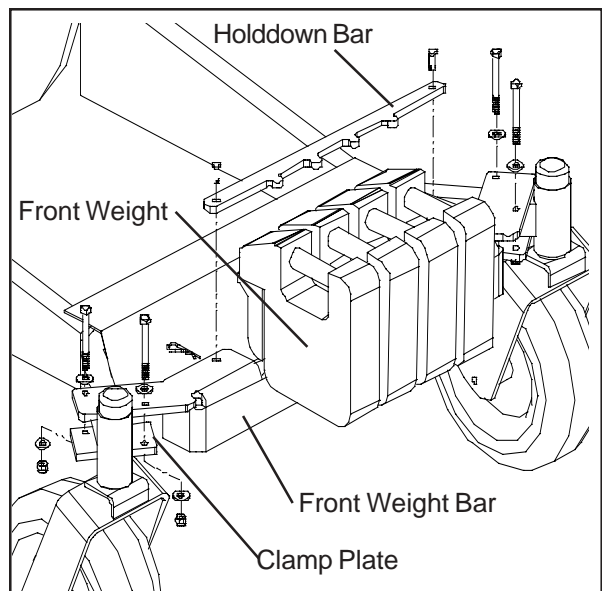
#### Parts List

540200828	Hitch .....	1
540099031	1/2" x 1-1/2" Hex Bolts ...	6
540000425	1/2" Flat Washers .....	12
540093082	1/2" Nylon Lock Nuts .....	6

### FRONT WEIGHT BAR

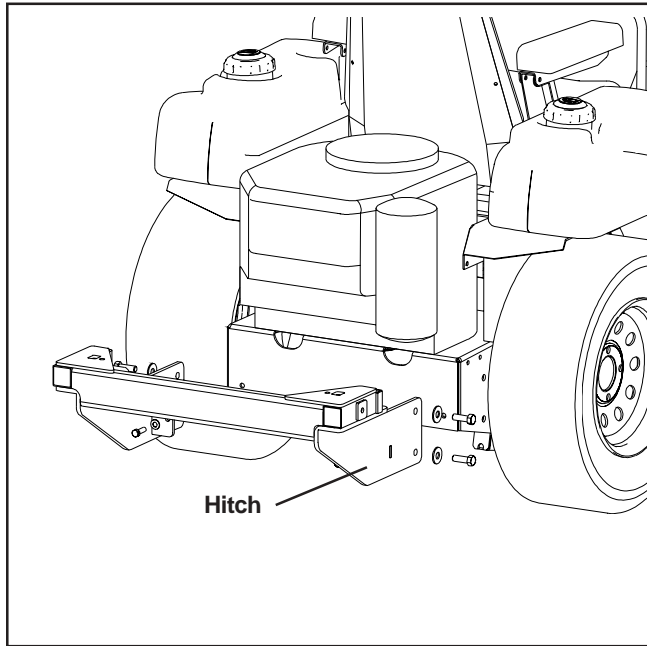
#### Parts List

540020255	Front Weight Bar .....	1
540092519	Clamp Plates .....	2
540092731	Holddown Bar .....	1
540099065	3/8" Nylon Lock Nuts .....	4
540099697	3/8" x 4-1/2" Hex Bolts .....	4
540000415	3/8" Flat Washer .....	8
540099616	#11 Cotter Pin .....	2
540099668	3/8" x 1" Clevis Pin .....	2



# Replacement Parts

## 540200942 Custom Kit for iZ



### HITCH

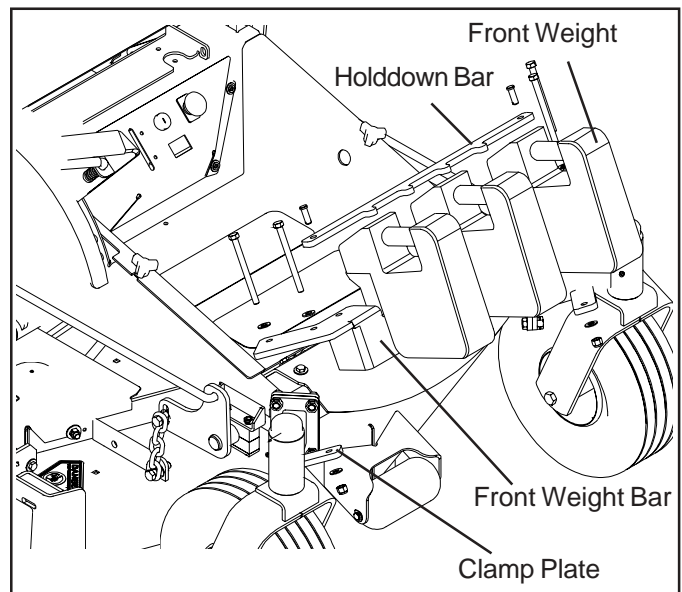
#### Parts List

540200809	Hitch .....	1
540099020	3/8" x 1-1/4" Hex Bolts .....	2
540000415	3/8" Flat Washers .....	4
540099065	3/8" Nylon Lock Nuts .....	2
540099031	1/2" x 1-1/4" Hex Bolts .....	4
540000427	1/2" Flat Washers .....	8
540093082	1/2" Nylon Lock Nuts .....	4

### FRONT WEIGHT BAR

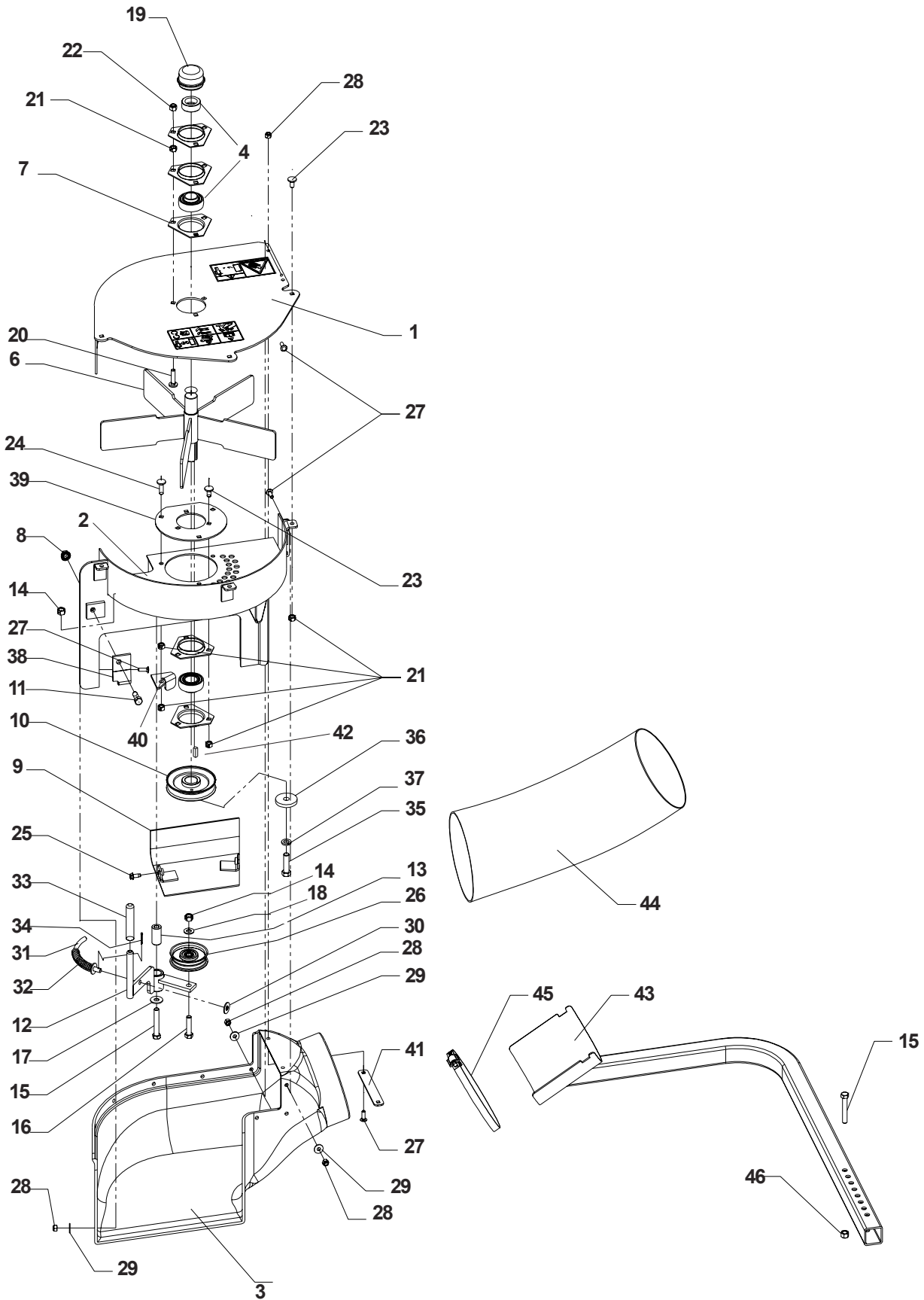
#### Parts List

540200932	Front Weight Bar .....	1
540200934	Clamp Plates .....	2
540092731	Holddown Bar .....	1
540099065	3/8" Nylon Lock Nuts .....	4
540990591	3/8" x 4-1/2" Hex Bolts .....	4
540000415	3/8" Flat Washer .....	8
540099616	#11 Cotter Pin .....	2
540099668	3/8" x 1" Clevis Pin .....	2



# Replacement Parts

## 540200803 Spindle Drive Fan Assembly



# Replacement Parts

ITEM	PART NO.	QTY	DESCRIPTION
1	539106752	1	FAN COVER W/DECALS
2	539106693	1	UPPER HOUSING
3	539106706	1	LOWER HOUSING
4	539106786	2	BEARING WITH COLLAR
6	539106707	1	FAN WLDMT.
7	539102691	5	FLANGETTE
8	539990613	1	NUT, 3/8-16, FLANGE
9	539106711	1	SHEAVE FLOOR
10	539106713	1	SHEAVE, 4"
11	539990563	1	BOLT, 3/8-16 X 1
12	539106715	1	IDLER ARM
13	539101836	1	SLEEVE BUSHING
14	539990546	2	NUT, 3/8-16, CTR. LOCK
15	539990629	2	BOLT, 3/8-16 X 2 1/4
16	539990655	1	BOLT, 3/8-16 X 1 1/2
17	539990517	1	WASHER, 3/8
18	539990122	1	WASHER, 3/8, SAE
19	539102535	1	GREASE CAP
20	539100472	3	BOLT, 5/16-18 X 1 1/4, CARRIAGE
21	539990184	13	NUT, 5/16-18, CTR. LOCK
22	539990717	3	NUT, 5/16-18, NYLOC
23	539990799	8	BOLT, 5/16-18 X 5/8, CARRIAGE
24	539990208	1	BOLT, 5/16-18 X 1
25	539990362	2	SCREW, 1/4-20 X 5/8, SELF TAP
26	539106721	1	IDLER
27	539990074	16	BOLT, 1/4-20 X 3/4, CARRIAGE
28	539976978	16	NUT, 1/4-20, NYLOC
29	539990598	14	WASHER, 1/4
30	539990188	1	WASHER, 5/16
31	539106801	1	SPRING ROD
32	539106720	1	SPRING
33	539101050	1	VINYL GRIP
34	539990037	1	COTTER PIN 3/32 X 3/4
35	539100141	1	BOLT, 7/16-20 X 1 1/2
36	539106504	1	HEAVY WASHER
37	539990247	1	LOCKWASHER, 7/16
38	539106810	1	CLAMP
39	539106809	1	BEARING PLATE
40	539106811	1	BELT GUIDE
41	539106812	1	BACKING
42	539102067	1	KEY 1/4 X 3/4 SQ.
43	539106751	1	SUPPORT
44	539106748	1	HOSE
45	539097076	3	HOSE CLAMP
46	539976979	1	NUT, 3/8-16, NYLOC

 **Husqvarna**